



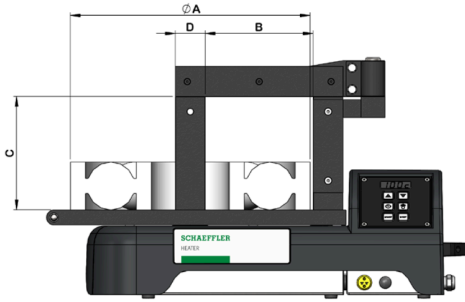
HEATER150-SMART-230V

Heating device, inductive

Schaeffler ID:
0966646140000

HEATER smart

Technical information



Technical data

| | | |
|----------------------|------------|--------------------------|
| U | 230 V | Operating voltage |
| f | 50 - 60 Hz | Frequency |
| P | 3.7 kVA | Power consumption |
| I | 16 A | Current rating |
| $\vartheta_{h \max}$ | 240 °C | Max. heating temperature |
| | 0 - 99 min | Heating time |
| | Touch | Display |
| | 2 | Magnetic probe, quantity |
| $\approx m$ | 82.9 kg | Weight |

Functions

| | |
|------------------------------|---|
| + | Temperature hold |
| + | Automatic demagnetization, <math><2A/cm</math> |
| + | Swivel arm |
| + | Log function |
| + | Delta-T control |
| + | Temperature control |
| + | Time control |
| + | Temperature and time control |
| + | Temperature and speed control |
| + | Overheating protection |
| only in temp. and speed mode | Automatic power reduction |
| + | Device supports horizontal / lying heating of the workpiece |
| + | Device supports vertical / hanging heating of the workpiece |

Dimensions

| | | |
|---|--------|---------------------------------------|
| | 788 mm | Length HEATER |
| | 315 mm | Width HEATER |
| | 456 mm | Height HEATER |
| B | 210 mm | Space between poles |
| C | 205 mm | Pole length |
| D | 70x80 | Pole cross section (mm ²) |

Workpiece to be heated

| | | |
|--------------------|--------|--|
| | 45 mm | Min. inner diameter workpiece, vertical heating: with included yoke |
| | 15 mm | Min. inner diameter workpiece, vertical heating: with optional yoke |
| | 110 mm | Min. inner diameter workpiece, horizontal heating |
| ØA _{max} | 600 mm | Max. outer diameter workpiece |
| | 205 mm | Max. workpiece width, vertical heating |
| | 200 mm | Max. workpiece width, horizontal heating |
| m _{b max} | 150 kg | Max. workpiece weight |

Additional information

| | | |
|--|--------------|--|
| | 2 | Yokes included, quantity |
| | 30x30, 70x80 | Yokes included, cross section (mm ²) |